

# 11BC Harvester Saw Chain

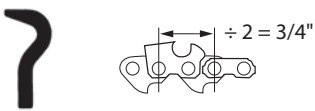


## 3/4" Harvester Saw Chain: Excellent Cutting Performance

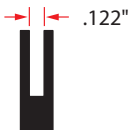
Features exclusive to OREGON®



Cutter Style      Chain Pitch



Chain Gauge



Recommended Uses



Harvester

The big, burly old pro with updated features that keep this chain a top performer in modern harvesting applications. Features classic chipper-style cutters. Delivers excellent cutting performance with heavyweight durability.

### FEATURES

#### Chipper-Style Cutters

### BENEFITS

- Chipper cutters have fully rounded working corners and side plates for a big aggressive bite, easy sharpening and edge-holding durability

#### Equal Pitch Chassis

- Tested, proven chassis delivers superior strength and outstanding durability

#### Patented Steel




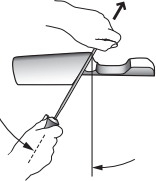
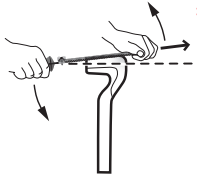
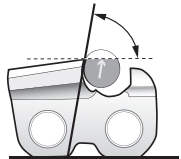
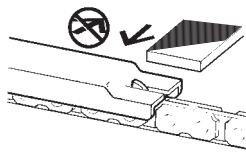


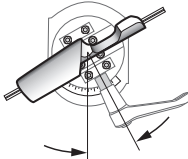
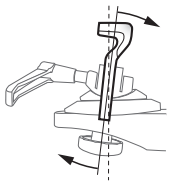
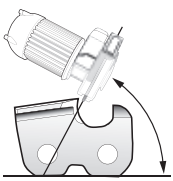
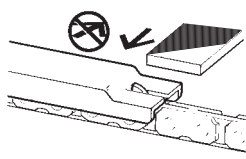
- Patented OREGON steel material, improved rivet material and state-of-the-art manufacturing processes keep stretch and wear to a minimum, even while working in brutal cold-weather cutting conditions

See warnings on back

# 11BC Harvester Saw Chain



## SHARPENING & GRINDING ANGLES

	←X→	A	B	C	D
 <b>107617</b>	 <b>5/16"</b>	 <b>35°</b>	 <b>0°</b>	 <b>85°</b>	 <b>.060" / 1.52mm</b>
 <b>511AX</b>	 <b>5/16"</b>	 <b>35°</b>	 <b>0°</b>	 <b>60°</b>	 <b>.060" / 1.52mm</b>

\* When using an Oregon® file guide, ALWAYS hold it level (0°) or flat on the Top Plate

## SHARPENING & GRINDING TOOL PART NUMBERS

				
107617	90410 (6)	OR 534-516 (5-3/4" Dia.)	12211 (12)	26800 (10)

## RECOMMENDED CHAIN SPEEDS

Minimum	Recommended
1,500 ft./min.	6,000 ft./min.
8 m/sec.	30 m/sec.



### WARNING

There is risk of serious injury or death to machine operators and bystanders from "Chain Shot," which is the high-speed ejection of chain parts that can occur in the event of a broken chain. Follow the application, inspection and maintenance instructions provided here, and with your harvester equipment. Do not use chain:

- that has been severely damaged
- that has broken components
- that has loose rivet joints (if you can rotate the rivets with your fingers, they're too loose)
- that has been broken twice



Do not use 11BC saw chain on hand-held saws.



## SAW CHAIN REPLACEMENT PARTS AND NUMBERS

				
P24573	P24574	P24569	P24577	P107543

Replacement parts come in packs of 25

OREGON® is a registered trademark of Blount, Inc.

For more information on these and other OREGON® products, contact your authorized OREGON® distributor, or:

 **OREGON®, BLOUNT, INC.** PO Box 22127 · Portland, OR, U.S.A. 97269-2127 Phone: 503-653-8881 Fax: 503-653-4201 Web: oregonchain.com  
 **OREGON DISTRIBUTION LTD.** 505 Edinburgh Rd. N., Guelph, Ontario, Canada N1H 6L4 Phone: 519-822-6870 Fax: 519-822-4999

OREGON® • Blount Inc. • oregonchain.com